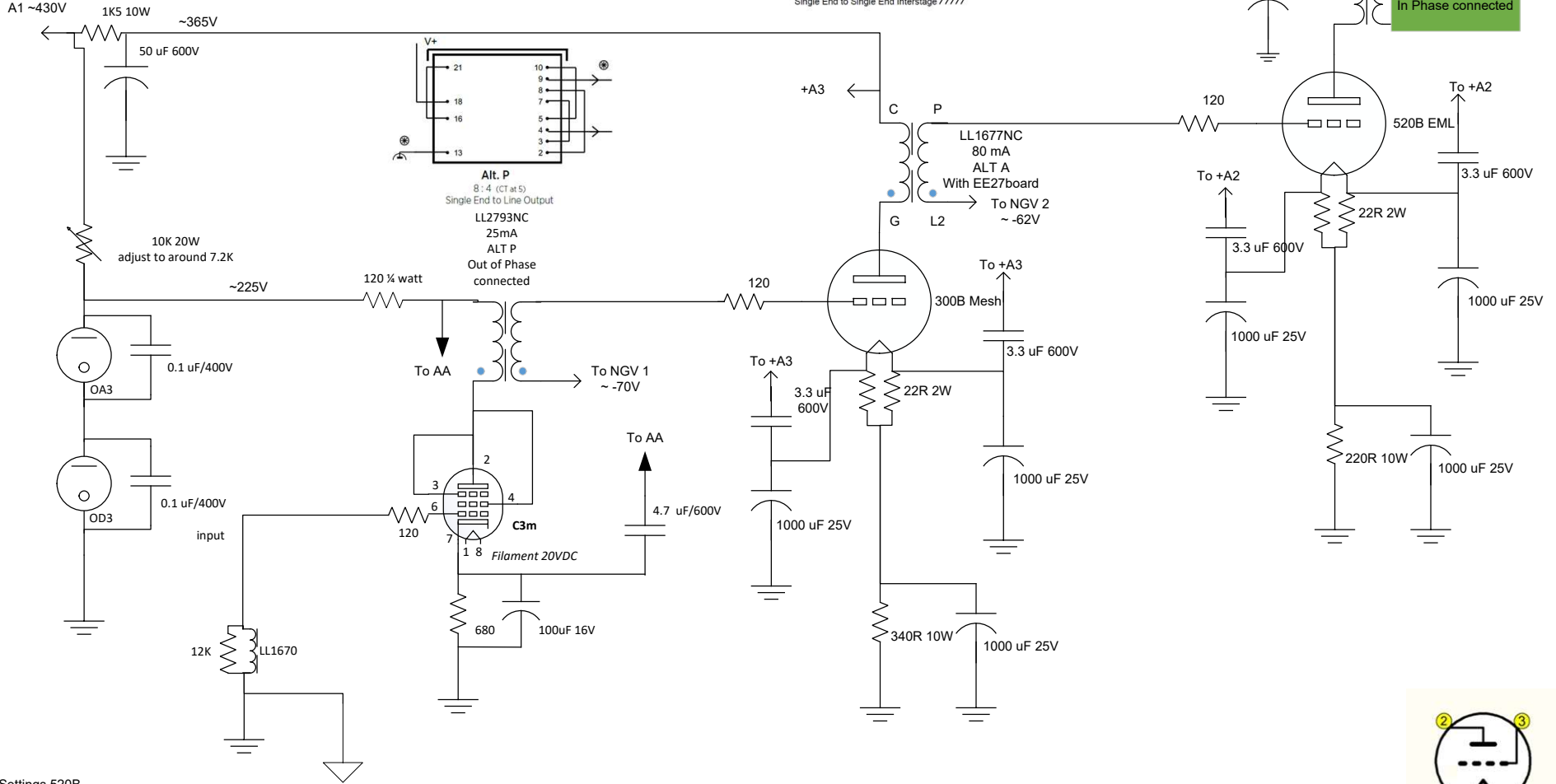


Note: Initial startup,
 NO tubes should be in their sockets.
 Put voltage on the grid voltage transformer only and adjust both voltages on the grid pin to around -70V.
 Switch off the power to the grid voltage transformer.
 Connect all transformers now. Put all tubes in and switch the amp on, fine tune the grid voltage after to
 your liking.
 Instead of a 520B you can also use a 300B XLS. Observe maximum power dissipation!



Settings 520B

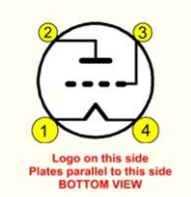
Voltage	14	15	16	17	18	19	20	21	22	23	24	25	26	27	28	29	30
Current in mA	63.6	68.2	72.7	77.3	81.8	86.4	90.9	95.5	100.0	104.5	109.1	113.6	118.2	122.7	127.3	131.8	136.4
Approx Wattage	24.9	26.6	28.3	30.0	31.7	33.3	35.0	36.7	38.3	39.9	41.6	43.2	44.8	46.4	48.0	49.6	51.1

Settings 300B Mesh if using 73mA or more observe voltage max on the cathode caps

Voltage	14	15	16	17	18	19	20	21	22	23	24	25	26	27	28
Current in mA	41.2	44.1	47.1	50.0	52.9	55.9	58.8	61.8	64.7	67.6	70.6	73.5	76.5	79.4	82.4
Approx Wattage	14.2	15.2	16.2	17.2	18.1	19.1	20.0	20.9	21.9	22.8	23.7	24.6	25.5	26.4	27.3

Settings 300B XLS instead of 520B

Voltage	8	9	10	11	12	13	14	15	16	17	18	19	20	21	22	23	24
Current in mA	36.4	40.9	45.5	50.0	54.5	59.1	63.6	68.2	72.7	77.3	81.8	86.4	90.9	95.5	100.0	104.5	109.1
Approx Wattage	15.2	17.0	18.9	20.7	22.5	24.3	26.2	28.0	29.7	31.5	33.3	35.1	36.8	38.6	40.3	42.0	43.7



Sakuma Power amp NO Capacitor with 300B Mesh driver

Revision date: Saturday, February 10, 2024 @ 15:51

520 B 300 B XLS or 300B Mesh EML siemens C3m.vsd

Robbert H. ter Haar

Page 3 of 3